

AO-MF-ADV



Owner's Manual | El manual del propietario

# ADVANCED DIRECT CONNECT WATER FILTER

BAJO EL FREGADERO | FILTRO DE AGUA AVANZADO DE CONEXIÓN DIRECTA



IF YOU NEED HELP OR HAVE A QUESTION, WE'VE GOT YOU COVERED. GIVE US A CALL AT 877.333.7108  
PLEASE DO NOT RETURN TO THE STORE.

SI NECESITA AYUDA O TIENE ALGUNA CONSULTA, LLÁMENOS AL 877.333.7108.  
NO ES NECESARIO QUE VUELVA A LA TIENDA.



Congratulations on your new purchase. This water filter has been engineered to provide you with optimally clean water. The Advanced Direct Connect Water Filter features Claryum® filtration technology that reduces harmful contaminants and bad taste and odor while retaining beneficial minerals. Whatever your water needs — from hydration to cooking and more — A. O. Smith has you covered.

Keep this owner's manual to reference installation, troubleshooting, and filter replacement information.

If you need help or have a question, give us a call at 877.333.7108.



The recommended replacement frequency for the AO-MF-ADV is every 6 months or every 784 gallons of use.



Use only certified, genuine A. O. Smith replacement filters for continued contaminant removal and system performance.

Visit [AOSmithAtLowe.com](http://AOSmithAtLowe.com) to find replacements or visit your local Lowe's store.

Under Sink

# ADVANCED DIRECT CONNECT WATER FILTER

---

## TABLE OF CONTENTS

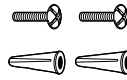
Box Contents .....	1
Installation Guide.....	2-4
Care & Safeguards.....	5
Performance & Certifications .....	6
Warranty.....	7
Spanish/Español.....	8-16



Scan to view the AO-MF-ADV installation video.

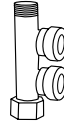
# 1 BOX CONTENTS

SYSTEM HEAD AND  
MOUNTING BRACKET

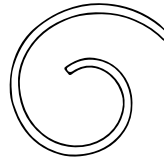


MOUNTING  
SCREWS AND  
ANCHORS (12)

FILTER CARTRIDGE



DUAL PORT  
ADAPTER



3' 3/8" TUBING (2)



MOUNTING  
BRACKETS (2)



QUICK CONNECT  
ELBOWS (2)

Please read entire manual and ensure all parts listed are present before installation.

If any part is missing or damaged let us know by calling **877.333.7108**.  
Do not attempt to install the filter.

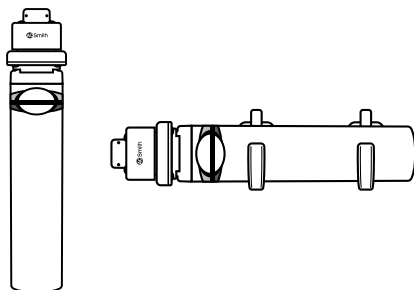
Tools recommended for installation:

- Variable speed drill w/ 7/32" bit
- Adjustable wrench
- Measuring tape
- Level
- Phillips head screwdriver
- Pencil

*Note: We recommend using a professional if pipe cutting is required.*

### Installation Options

1. Vertical
2. Horizontal wall mount
3. Horizontal floor mount  
(mount the system to the floor of your cabinet)

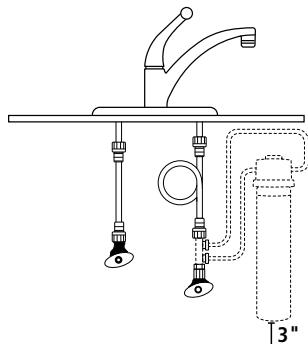


### STEP 1 Prepare for Installation

1. Lightly place advanced system head onto filter cartridge (do not fully attach) and determine a suitable area under the sink to mount the system.
2. Locate a suitable area under the sink to mount the system. Three (3) inches of clearance from the base of the filter cartridge is needed for easy replacement. The advanced system head must be installed less than three (3) feet from the COLD-water inlet valve.

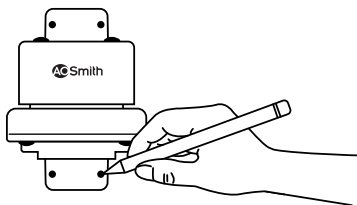


**Note:** Remove advanced system head before proceeding to step 3.



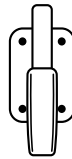
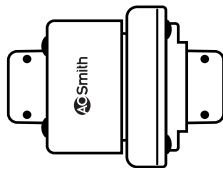
### STEP 2 Mount System Head (cont. on page 3)

1. Place system head in desired mounting location and use a pencil to mark the top left mounting hole. Referencing the mounting hole chart, use a level and measuring tape to mark the remaining holes for the system head and mounting brackets.

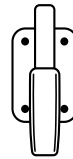


#### STEP 3 Mount System Head (cont. from page 2)

2. After penciling in the mounting placement, use a 7/32" drill bit to drill holes for plastic anchors. Carefully tap anchors into the drilled hole with a hammer.
3. Using a Phillips head screwdriver, mount the system head and mounting brackets using the provided screws. Ensure that the bracket marked P/N-2 is closest to the system head.



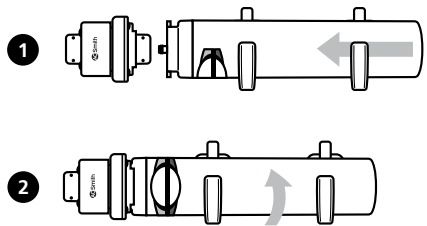
P/N-2



P/N-3

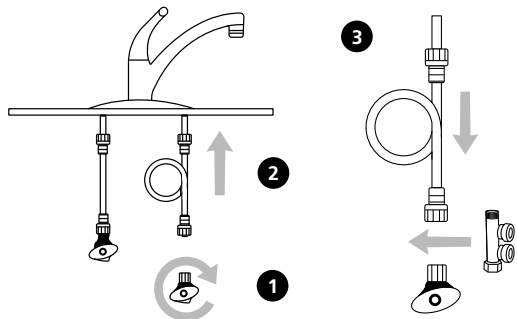
#### STEP 4 Insert Filter Cartridge

Fully connect filter cartridge to system head by placing it into the mounting brackets, then pushing up and turning the cartridge to the right until it locks into place.



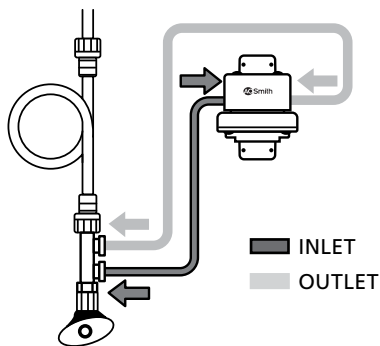
#### STEP 5 Turn Off and Disconnect Water Line

Turn off COLD water supply (1). With an adjustable wrench, disconnect water line (2). Attach dual port adapter to shutoff valve and re-attach COLD water line to the dual port adapter (3).

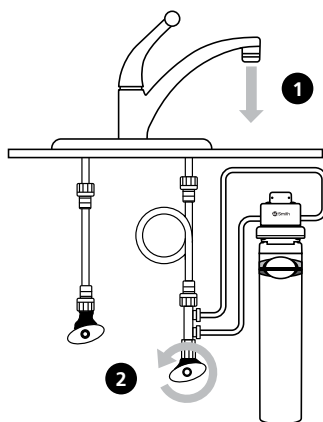


**STEP 6** Connect Tubing

1. Connect 3/8" tubing to the bottom port of the dual adapter. Run the opposite end of the tubing to the left side of the system head and cut to length.
2. Using the second piece of 3/8" tubing, connect one end to the top of the dual port adapter and run it to the right side of the system head and cut to length.
3. Connect tubing at all points. Push the tubing in until it stops. Use 3/8" quick connect elbow if necessary.

**STEP 7** Turn on Cold Water

Turn on COLD water to the kitchen faucet (1). With the faucet on, slowly open the COLD water shutoff valve (2).

**STEP 8** Flush System

Leave water running to flush system for 15 minutes or until water is clear of carbon fines. While the system is flushing, check for leaks. Once system is flushed, turn off kitchen faucet.

**Note:** Do not drink flushed water.

## Care

To clean your filter system, wipe down the exterior with a damp cloth.

### NOTICE

#### Safeguards

- If you experience a hose connection leak, disconnect and re-set the hose.
- Do not install this system where the line pressure may exceed 125 psi. The operating pressure range for this system is between 10-125 psi.
- Install on COLD water lines only (35°F - 100°F)
- Use caution when installing the system head on a cabinet wall that backs up to a dishwasher. Screws may exceed cabinet width.
- It is recommended that your system be installed inside and out of direct sunlight. The system must be protected from both direct sunlight and freezing temperatures.
- System and installation shall comply with applicable state and local laws.
- Do not use with water that is microbiologically unsafe or of unknown water quality without adequate disinfection before or after the system.
- Systems certified for cyst reduction may be used on disinfected waters that may contain filterable cysts.



Models	Replacement	Rated capacity	Operating temp. range	Rated flow
AO-MF-ADV	AO-MF-ADV-R	784 gallons 2,967 liters	35 - 100°F 1.66 - 37.78°C	1.5 gpm 5.67 lpm
<b>Manufactured by: A. O. Smith Corporation</b> 11270 W Park Pl #170, Milwaukee, WI 53224   877.333.7108				



System certified by IAPMO R&T to NSF/ANSI Standards 42, 53, and 401 for the reduction of the claims specified on the Performance Data Sheet and at [www.IAPMO.org](http://www.IAPMO.org).

For the full list of contaminants filtered, scan to view the AO-MF-ADV Performance Data Sheet.



LIMITED

1  
YEAR

WARRANTY

**Who is covered:**

A. O. Smith and its suppliers, (herein collectively referred to as "Manufacturer") warrants to the original owner who purchased and installed the system (hereinafter "Owner").

**What is covered:**

This Warranty covers defects in materials or workmanship during the limited Warranty period of your of your A. O. Smith Water Filtration System including sub-components purchased with original system (may or may not include faucet and fittings), except as provided below. The water filter is warranted only when it is installed, operated and maintained in accordance with the instructions accompanying the water filter found on AOSmithAtLowe.com. A water filter should be installed in such a manner that, if the system or any connection thereto should leak, the resulting flow of water will not cause damage to the area in which it is installed. For detailed instructions read the manual accompanying the water filter and review drawings in the manual.

**For how long:**

This Warranty runs for 12 months (365 days) from the date of purchase by a consumer (hereinafter "Warranty Period"). No Warranty coverage will be provided if the claimant is unable to provide proof of purchase from an authorized A. O. Smith reseller. Estimated lifespan of products is for information only and is based on usage approximations. Water conditions and use rates may limit the functional lifespan of your filter. This Limited Warranty does not extend to the full estimated life span of the system.

**What A. O. Smith will do:**

1. If necessary, the Manufacturer will provide a replacement that fulfills the remaining estimated lifespan/capacity of your original purchase and send it to you with installation instructions. If industry standards, product improvements or product obsolescence prohibit Manufacturer from furnishing an identical model replacement water filter under this Warranty, the Owner will be furnished with a new water filter of comparable remaining capacity and functionality; however, the Owner will be charged for the additional value of the item(s) which Manufacturer has incorporated in the replacement water filter. The Warranty period for any replacement will run for the balance of the original 365 days.

2. Component Part – If any component part proves to Manufacturer's satisfaction to be defective in material or workmanship within the Warranty period listed on the data plate label, the Manufacturer will furnish the Owner with a replacement for the defective part(s).

3. Return of Defective Water Filter and Component Parts – Manufacturer reserves the right to examine the alleged defect in the water filter or component part(s), and it will be the Owner's obligation to return the water filter and/or component part(s) to the Manufacturer at the Manufacturer's request.

a. When returning a water filter, it must include all component parts.  
b. When returning component part(s), they must be individually tagged and identified with the water filter's model number, date of purchase, and date of installation.

**What is not covered:**

1. This Warranty does not cover filter cartridges and any systems that were not installed in compliance with the instructions or that have been abused or operated incorrectly.

2. This Warranty applies only to products purchased from authorized A. O. Smith resellers.

3. The Limited Warranty stated herein is in lieu of any and all warranties, express or implied (whether written or oral), including, but not limited to, the implied warranties of merchantability and fitness for a particular purpose.

4. Manufacturer shall not be liable for any incidental, consequential, special, punitive, or contingent damages or expenses, arising, directly or indirectly, from any defect in the water filter or the use of the water filter, including but not limited to water damage.

5. Manufacturer shall not be liable for any water damage arising, directly

or indirectly, from any defect in the water filter or component part(s) or from its use.

6. Manufacturer shall not be liable for any damage or product failures caused by any of the following:

- The water filter or any of its component parts have been subject to misuse, alteration, neglect or accident.
- The water filter has not been installed in accordance with the applicable local plumbing and/or building code(s) and/or regulations or in their absence.
- The water filter is not installed, operated and maintained in accordance with the printed Manufacturer's instructions, including if the water filter has any additional aftermarket equipment introduced into the sealed system not approved by the manufacturer.
- The water filter is exposed to highly corrosive conditions.
- The water filter is not continuously supplied with potable water.
- The water filter is not operated within the factory calibrated temperature limits.
- The water filter is installed in direct sunlight or exposed to freezing temperatures.
- The water filter or any of its component parts fail due to sediment build-up.
- Clogging due to purchaser's failure to replace the filter cartridges.
- Damage caused by fire, flood or acts of God.
- Damage caused by over-pressurization in the water line.

7. Manufacturer shall not be liable for any claims related to excessive noise, smell, or taste of water.

8. This Warranty does not cover damage caused by the use of parts that are not genuine A. O. Smith parts. This includes, but is not limited to replacement filters, faucets, and/or diverter valves.

9. Except when specifically prohibited by the applicable state law, the Owner, and not the Manufacturer, shall be liable for and shall pay for all charges for labor or other expenses incurred in the removal, repair or replacement of the water filter or any component part(s) claimed to be defective or any expense incurred to remedy any defect in the product. Such charges may include, but are not necessarily limited to:

- a. All freight, shipping, handling and delivery costs of forwarding a new water filter or replacement part(s) to the owner.
- b. All costs necessary or incidental in removing the defective water filter or component part(s) and installing a new water filter or component part(s).
- c. Any material required to complete, and/or permits required for, installation of a new water filter or replacement part(s), and
- d. All costs necessary or incidental in returning the defective water filter or component part(s) to a location designated by the Manufacturer.

**How to get service:**

To receive service under this Warranty, you must contact A. O. Smith at 1-877-333-7108 within the Warranty Period to describe the problem to a customer service representative who will verify that the product is under Warranty and determine whether a part or the system will be replaced and whether you must send back the unit. You will be required to provide proof of purchase from an authorized A. O. Smith reseller and proof of proper installation.

**Warranty registration:**

Warranty registration is not required for coverage under the A. O. Smith Limited Warranty. If you purchased from a retailer or an authorized reseller, please complete the online Warranty registration form at [www.aosmithatlowes.com/register](http://www.aosmithatlowes.com/register). Proof of purchase from an A. O. Smith authorized dealer is required. Once registered online, we will have a record of your purchase.

**How state law applies:**

This Warranty gives you specific rights and you may have other rights which vary from state to state. Some states do not allow the exclusion or limitation of incidental or consequential damages, so the above limitation or exclusion may not apply to you.



Felicidades por su nueva compra. Este filtro de agua se ha diseñado para proporcionarle agua óptimamente limpia. El filtro de agua avanzado de conexión directa cuenta con tecnología de filtración Claryum® que reduce los contaminantes dañinos y el mal sabor y el olor, mientras que conserva minerales beneficiosos. Cualquiera sea su necesidad de agua, desde hidratación a cocción y más, A. O. Smith lo tiene cubierto.

Conserve este manual del propietario como referencia para la instalación, resolución de problemas e información de reemplazo del filtro.

Si necesita ayuda o tiene alguna consulta, llámenos al 877.333.7108



La frecuencia de cambio recomendada para el AO-MF-ADV es cada 6 meses o cada 2,968 litros (784 galones) de uso.



Solo use filtros de repuesto originales A. O. Smith y certificados para eliminación de contaminantes y rendimiento del sistema constantes.

Visite [AOSmithAtLowes.com](http://AOSmithAtLowes.com) para encontrar repuestos o visite su tienda Lowe's local.

Bajo el fregadero

# FILTRO DE AGUA AVANZADO DE CONEXIÓN DIRECTA

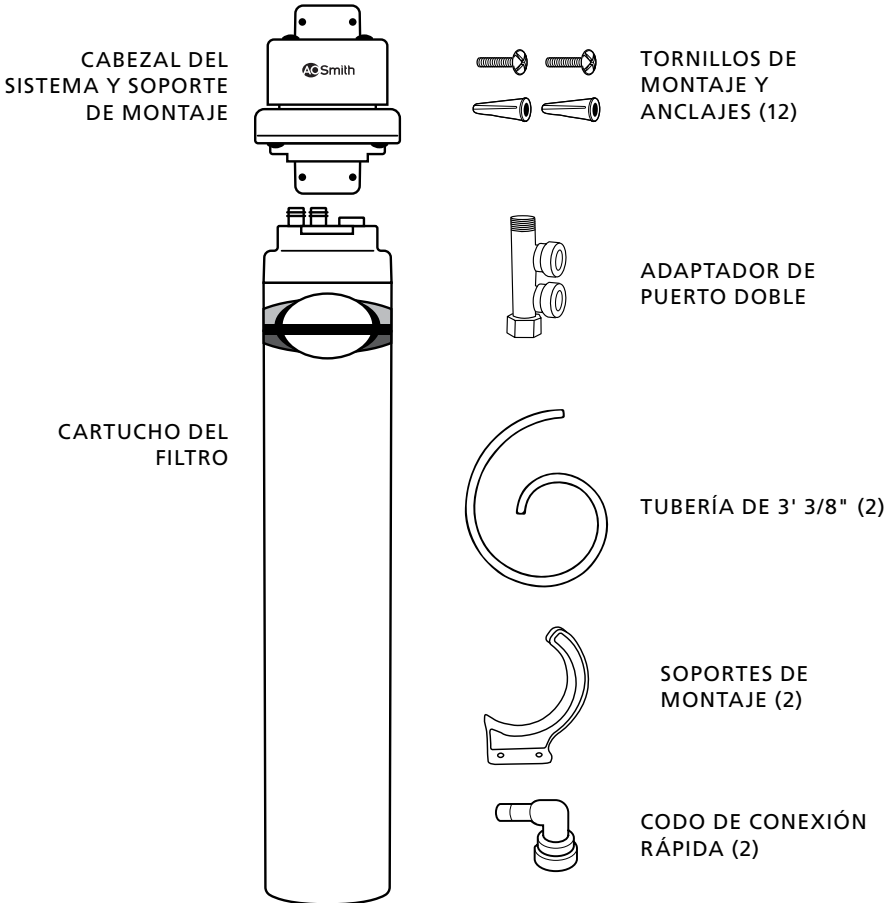
---

## TABLA DE CONTENIDO

Contenido de la caja .....	10
Guía de instalación.....	11-13
Cuidado y resguardos .....	14
Rendimiento y certificaciones .....	15
Garantía .....	16
Inglés/English.....	1-9



Escanee para ver el video de instalación  
de AO-MF-ADV.



Lea todo el manual antes de la instalación y asegurarse de que todas las piezas indicadas estén presentes.

Si falta una pieza o alguna está dañada, llámenos para avisarnos al **877.333.7108**. No intente instalar el filtro.

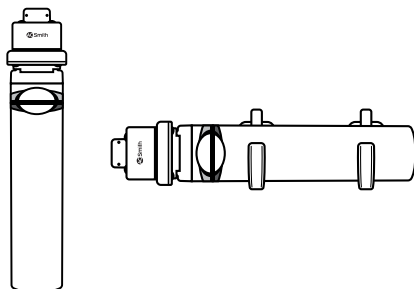
Herramientas recomendadas para la instalación:

- Taladro de velocidad variable con broca de 7/32"
- Llave ajustable
- Cinta métrica
- Nivel
- Destornillador Phillips
- Lápiz

*Nota: Recomendamos llamar a un profesional si se requiere cortar tuberías.*

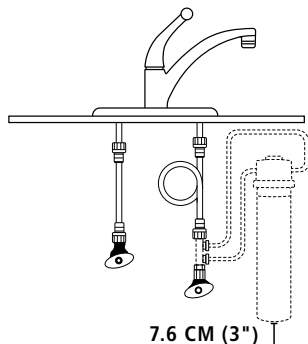
## Opciones de instalación

1. Vertical
2. Montaje de pared horizontal
3. Montaje de piso horizontal (monte el sistema al piso de su gabinete)



## PASO 1 Prepare para la instalación

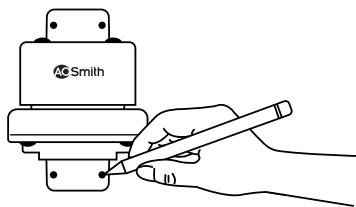
1. Coloque suavemente el cabezal del sistema en el cartucho (no lo instale completamente) y determiné un área adecuada bajo el fregadero para montar el sistema.
2. Ubique un área adecuada bajo el fregadero para montar el sistema. Se necesita una separación de 7.6 cm (3 pulgadas) desde la base del cartucho de sistema para reemplazarlo fácilmente. El cabezal del sistema se debe instalar a menos de un metro (tres pies) de la válvula de entrada de agua FRÍA.



**Nota:** Retire el cabezal del sistema antes de continuar con el paso 3.

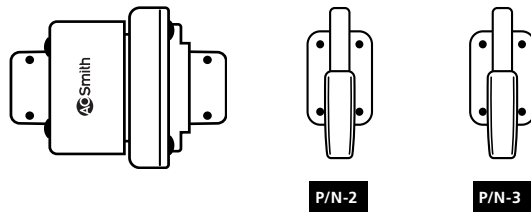
## PASO 2 Monte el cabezal del sistema (continúa en la página 12)

1. Coloque el cabezal del sistema en la ubicación de montaje deseada y use un lápiz para marcar el orificio de montaje superior izquierdo. Con la tabla de orificios de montaje como referencia, use un nivel y una cinta métrica para marcar los orificios restantes para el cabezal del sistema y los soportes de montaje.



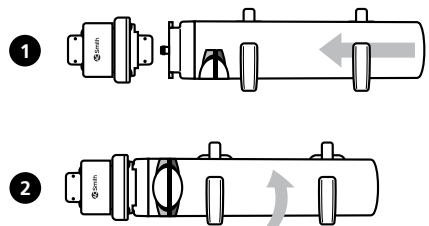
**PASO 3 Monte el cabezal del sistema (continuación de la página 11)**

2. Después de marcar la ubicación de montaje con el lápiz, use una broca de 7/32" para perforar orificios para los anclajes de plástico. Con cuidado, inserte los anclajes en el orificio perforado con un martillo.
3. Con un destornillador Phillips, monte el cabezal del sistema y los soportes de montaje con los tornillos que se proporcionan. Asegúrese de que el soporte marcado como P/N-2 sea el más cercano al cabezal del sistema.



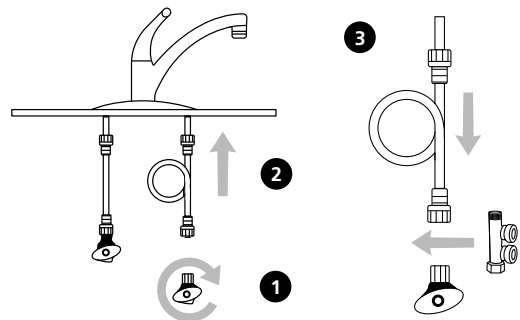
**PASO 4 Inserte el cartucho de filtro**

Coloque el filtro en los soportes de montaje, luego empuje el cartucho de filtro hacia arriba y gírelo hacia la derecha hasta que se bloquee para conectarlo completamente al cabezal del sistema.



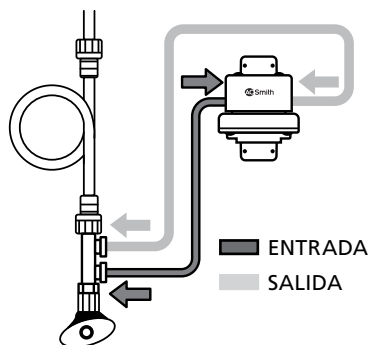
**PASO 5 Cierre y desconecte la tubería de agua**

Cierre el suministro de agua FRÍA (1). Con una llave ajustable, desconecte la tubería de agua (2). Instale el adaptador de puerto doble en la válvula de cierre y vuelva a conectar la tubería de agua FRÍA al adaptador de puerto doble (3).

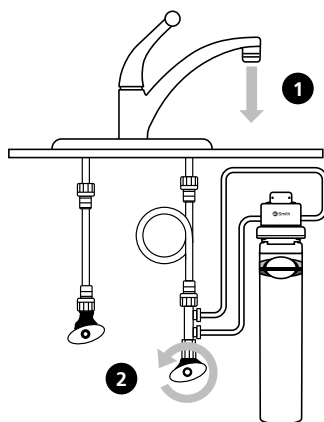


**PASO 6 Conecte el tubo**

1. Conecte el tubo de 3/8" al puerto inferior del adaptador doble. Tienda el extremo opuesto del tubo hacia la izquierda del cabezal del sistema y córtelo a la longitud deseada.
2. Con el segundo trozo de tubo de 3/8", conecte un extremo a la parte superior del adaptador de puerto doble, tiéndalo hacia la derecha del cabezal del sistema y córtelo a la longitud deseada.
3. Conecte el tubo en todos los puntos. Introduzca el tubo hasta que se detenga. Use el codo de conexión rápida de 3/8" si es necesario.

**PASO 7 Abra el suministro de agua fría**

Abra el suministro de agua FRÍA hacia la llave de la cocina (1). Con la llave abierta, abra lentamente la válvula de cierre de agua FRÍA (2).

**PASO 8 Enjuague el sistema**

Deje el agua corriendo para lavar el sistema durante 15 minutos o hasta que el agua no tenga partículas finas de carbón. Mientras se está enjuagando el sistema, revise si hay fugas. Una vez que el sistema se enjuague, cierre la llave de la cocina.

**Nota:** No beba el agua de lavado.



## Cuidado

Para limpiar el sistema de filtrado, limpie el exterior con un paño húmedo.

## AVISO

### Resguardos

- Si tiene una fuga en la conexión de la manguera, desconecte y vuelva a fijar la manguera.
- No instale este sistema donde la presión de la tubería pueda superar los 861.8 kPa (125 psi). El rango de presión de funcionamiento para este sistema es entre 68.9 kPa y 861.8 kPa (10 psi y 125 psi).
- Instale solo en tuberías de agua FRÍA (4.44°C a 32.22°C [35°F a 100°F])
- Tenga cuidado cuando instale el cabezal del sistema en una pared del gabinete que se apoya en un lavavajillas. Los tornillos pueden sobrepasar el ancho del gabinete.
- Se recomienda que instale su sistema en el interior y lejos de la luz solar directa. El sistema debe estar protegido de la luz solar directa y de las temperaturas de congelamiento.
- El sistema y la instalación debe cumplir con las leyes estatales y locales aplicables.
- No usar con agua que no sea microbiológicamente segura o cuya calidad sea desconocida sin la desinfección adecuada antes o después de usarla en el sistema.
- Es posible usar sistemas certificados para la reducción de quistes en aguas desinfectadas que puedan tener quistes filtrables.

Modelos	Repuesto	Capacidad nominal	Rango de temp. de funcionamiento	Flujo nominal
AO-MF-ADV	AO-MF-ADV-R	2,967 litros 784 galones	1.66 - 37.78 °C 35 - 100 °F	5.67 lpm 1.5 gpm
Fabricado por: A. O. Smith Corporation 11270 W Park Pl #170, Milwaukee, WI 53224   877.333.7108				



Sistema certificado por IAPMO R&T según las normas NSF/ANSI 42, 53, y 401 para la reducción de las declaraciones especificadas en la Hoja de datos de rendimiento y en [www.IAPMO.org](http://www.IAPMO.org).

Para conocer la lista completa de los contaminantes filtrados, escanee para ver la hoja de datos de rendimiento de AO-MF-ADV.



GARANTÍA

1  
AÑO

LIMITADA

**Quién está cubierto:**

A. O. Smith y sus proveedores (en adelante, mencionados en conjunto como el "Fabricante") garantizan al propietario original que compró e instaló el sistema (en adelante, el "Propietario").

**Lo que está cubierto:**

Esta garantía cubre defectos en materiales o mano de obra durante el período de garantía limitada del sistema de filtración de agua de A. O. Smith, lo que incluye subcomponentes comprados con el sistema original (puede o no incluir llaves y conectores), excepto según se dispone a continuación. El filtro de agua tiene garantía solo cuando se instala, opera y mantiene de acuerdo con las instrucciones que se incluyen con el filtro de agua, las que se encuentran en [AOSmithAtLowes.com](http://AOSmithAtLowes.com). Un filtro de agua se debe instalar de manera tal que, si el sistema o alguna conexión del mismo tuviera fugas, el flujo resultante de agua no cause daños al área en el que se instaló. Para obtener instrucciones detalladas, lea el manual que se incluye con el filtro de agua y revise los planos del manual.

**Duración:**

Esta Garantía dura 12 meses (365 días) a partir de la fecha de compra por parte del consumidor (en adelante, el "Período de garantía"). No se proporcionará cobertura de Garantía si el solicitante no puede proporcionar un comprobante de compra de un revendedor autorizado de A. O. Smith. La vida útil estimada de los productos es solo con fines informativos y se basa en aproximaciones de uso. Las condiciones del agua y la tasa de uso pueden limitar la vida útil funcional de su filtro. Esta Garantía limitada no se extiende por toda la vida útil estimada del sistema.

**Lo que hará A. O. Smith:**

1. Si es necesario, el Fabricante proporcionará un repuesto que cumpla con la vida útil/capacidad estimada restante de su compra original y se lo enviará con instrucciones de instalación. Si las normas de la industria, mejoras en productos u obsolescencia de productos impiden que el Fabricante proporcione un repuesto de modelo idéntico del filtro de agua conforme a esta Garantía, el Propietario recibirá un nuevo filtro de agua con una funcionalidad y capacidad restante comparables; sin embargo, se le cobrará al Propietario por el valor adicional de los elementos que haya incorporado el Fabricante en el filtro de agua de repuesto. El período de Garantía para cualquier repuesto durará el resto de los 365 días originales.

2. Pieza componente: Si se demuestra, a la satisfacción del Fabricante, que cualquier pieza componente tiene defectos de materiales o mano de obra dentro del período de Garantía indicado en la etiqueta de la placa de datos, el Fabricante proporcionará al Propietario un repuesto de las piezas defectuosas.

3. Devolución de filtro de agua y piezas componentes defectuosos: El Fabricante se reserva el derecho de examinar el supuesto defecto en el filtro de agua o piezas componentes, y será la obligación del Propietario devolver el filtro de agua o las piezas componentes al Fabricante cuando lo solicite.

a. Cuando devuelva un filtro de agua, debe incluir todas las piezas componentes.

b. Cuando devuelva piezas componentes, deben estar etiquetadas e identificadas individualmente con el número de modelo del filtro de agua, la fecha de compra y la fecha de instalación.

**Lo que no está cubierto:**

1. Esta Garantía no cubre cartuchos de filtro y ningún sistema que se haya instalado sin cumplir con las instrucciones o que se haya usado u operado de manera incorrecta.

2. Esta Garantía se aplica solo a productos comprados de revendedores autorizados de A. O. Smith.

3. La Garantía limitada que se indica en este documento reemplaza cualquiera y todas las garantías, expresas o implícitas (ya sea por escrito o en forma oral), lo que incluye, entre otras, las garantías implícitas de comerciabilidad e idoneidad para un propósito en particular.

4. El Fabricante no será responsable por cualquier daño o gasto incidental, emergente, especial, punitivo o contingente, que surja, de manera directa o indirecta, de cualquier defecto en el filtro de agua o por el uso del filtro de agua, lo que incluye, entre otros, daños por agua.

5. El Fabricante no será responsable por ningún daño por agua que surja, de manera directa o indirecta, por ningún defecto en el filtro de agua o

pieza componente o por su uso.

6. El Fabricante no será responsable por ningún daño o fallas de producto provocados por cualquiera de los siguientes:

- El filtro de agua o alguna de sus piezas componentes han estado sujetos a uso indebido, alteración, negligencia o accidente.
- El filtro de agua no se ha instalado de acuerdo con los códigos o reglamentos locales de plomería o edificación, o se instaló sin estos.
- El filtro de agua no se instaló, operó ni recibió mantenimiento de acuerdo con las instrucciones impresas del Fabricante, lo que incluye si el filtro de agua tiene repuestos introducidos al sistema sellado que no hayan sido aprobados por el fabricante.
- El filtro de agua está expuesto a condiciones altamente corrosivas.
- El filtro de agua no recibe continuamente agua potable.
- El filtro de agua no funciona dentro de los límites de temperatura calibrados en la fábrica.
- El filtro de agua está instalado a la luz solar directa o está expuesto a temperaturas de congelamiento.
- El filtro de agua o cualquiera de sus piezas componentes falla debido a acumulación de sedimentos.

• Obstrucciones debido a que el comprador no reemplaza los cartuchos del filtro.

• Daño producto de incendios, inundaciones o casos fortuitos.

• Daño causado por la sobrepresurización de la tubería de agua.

7. El Fabricante no será responsable por reclamaciones relacionadas con ruido excesivo, olor o sabor del agua.

8. Esta Garantía no cubre daños causados por el uso de piezas que no sean originales de A. O. Smith. Esto incluye, entre otros, filtros de repuesto, llaves o válvulas de cambio.

9. Excepto cuando lo prohíba específicamente la ley estatal correspondiente, el Propietario, y no el Fabricante, será responsable y deberá pagar todos los costos de mano de obra u otros gastos en los que se incurra con la extracción, reparación o reemplazo del filtro de agua o cualquier pieza componente que se reclame que está defectuosa, o cualquier gasto en el que se incurra para solucionar cualquier defecto en el producto. Dichos cargos pueden incluir, entre otros, los siguientes:

- a. Todos los costos de flete, envío, manipulación y entrega de reenviar un nuevo filtro de agua o repuesto al propietario.
- b. Todos los costos necesarios o incidentales por la extracción del filtro de agua o piezas componentes defectuosos y la instalación de un filtro de agua o piezas componentes nuevos.
- c. Cualquier material necesario para completar, o los permisos exigidos para, la instalación de un nuevo filtro de agua o repuesto, y
- d. Todos los costos necesarios o incidentales por la devolución del filtro de agua o piezas componentes defectuosos al lugar designado por el Fabricante.

**Cómo obtener el servicio:**

Para recibir el servicio conforme a esta garantía, debe comunicarse con A. O. Smith al 1-877-333-7108 dentro del Período de garantía para describir el problema a un representante de servicio al cliente, el que verificará que el producto esté cubierto por la Garantía y determinará si se reemplazará una pieza o el sistema y si es que debe devolver la unidad. Deberá proporcionar un comprobante de compra de un revendedor autorizado de A. O. Smith y un comprobante de instalación correcta.

**Registro de la garantía:**

No es necesario registrar la garantía para la cobertura conforme a la Garantía limitada de A. O. Smith. Si realizó la compra a través de un minorista o un revendedor autorizado, complete el registro de la Garantía en línea en [www.aosmithatlowes.com/register](http://www.aosmithatlowes.com/register). Se requiere un comprobante de compra de un distribuidor autorizado de A. O. Smith. Una vez registrado en línea, tendremos un registro de su compra.

**Cómo se aplica la ley estatal:**

Esta Garantía otorga derechos específicos y es posible que tenga otros derechos que varían según el estado. Algunos estados no permiten la exclusión o limitación de daños indirectos o emergentes, por lo que es posible que la limitación anterior no le corresponda.



### Love it?

We welcome your rating & review.  
Visit [AOSmithatLowes.com/reviews](http://AOSmithatLowes.com/reviews)

### ¿Te encanta?

Apreciaremos tu calificación y comentarios.  
Visita [AOSmithatLowes.com/reviews](http://AOSmithatLowes.com/reviews)



### Need help?

Save a trip and give us a call instead  
at **877.333.7108**

Tell us what's going on. We'll do our best to help  
solve the problem and improve the product.

### ¿Necesitas ayuda?

Ahórrate un viaje y llámanos al **877.333.7108**

Dinos qué sucede. Haremos todo lo posible para  
resolver el problema y mejorar el producto.



System certified by IAPMO R&T to NSF/ANSI Standards 42, 53, and 401 for the reduction of the claims specified on the Performance Data Sheet and at [www.IAPMO.org](http://www.IAPMO.org).

Sistema certificado por IAPMO R&T según las normas NSF/ANSI 42, 53, y 401 para la reducción de las declaraciones especificadas en la Hoja de datos de rendimiento y en [www.IAPMO.org](http://www.IAPMO.org).

This filter system is designed and tested for use with genuine A. O. Smith parts, including replacement filters, faucet and all hardware. Use of parts from other manufacturers may result in loss of contaminant reduction performance, system damage or failure. Use of parts from other manufacturers will also void your warranty. Please visit [aosmithatlowes.com](http://aosmithatlowes.com) for replacement parts. Installation must comply with state and local ordinances.

A. O. Smith is not liable for consequential or incidental damages due to improper installation.

Este sistema de filtrado está diseñado y probado para ser usado con piezas originales de A. O. Smith, lo que incluye los filtros, la llave y todas las piezas metálicas de repuesto. El uso de piezas de otros fabricantes puede generar una pérdida en el rendimiento de la reducción de contaminantes, dañar el sistema o causar fallas. El uso de piezas de otros fabricantes también anulará su garantía. Visite [aosmithatlowes.com](http://aosmithatlowes.com) para pedir repuestos. La instalación debe cumplir con las ordenanzas estatales y locales.

A. O. Smith no se hace responsable por daños indirectos o emergentes a causa de una instalación incorrecta.



A. O. Smith Corporation 11270 W Park Pl #170, Milwaukee, WI 53224 | 877.333.7108