

Replacement Manual

REMINERALIZER

FOR USE WITH AO-US-RO-4000

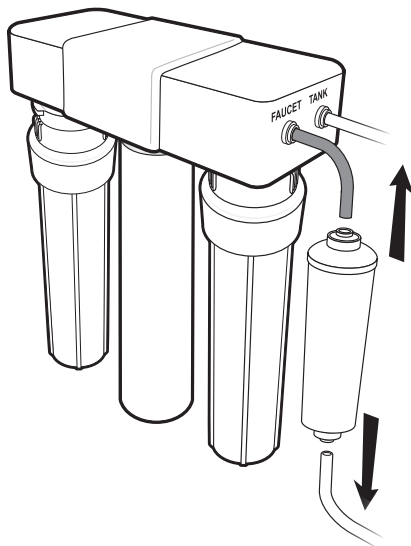


STEP 1 Prepare for Installation

1. Turn off COLD water valve. Release pressure from system by turning on dedicated faucet until water stops flowing.
2. Unbox remineralizer replacement and remove plastic.

STEP 2 Remove Remineralizer and Disconnect Tubing

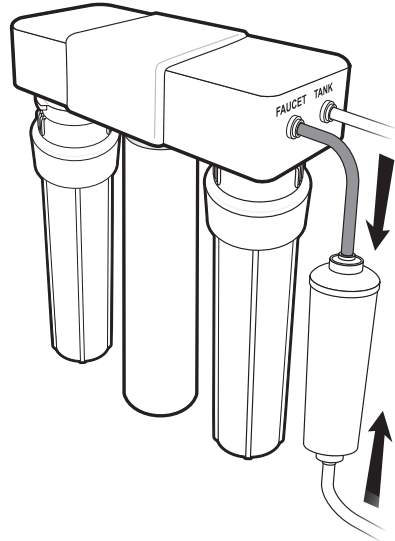
1. Once the water tank is drained and the system is no longer under pressure, remove the 3/8" tube from the inlet and outlet of the remineralizer. Do so by pushing and holding down the collar while removing the tubing.
2. Discard the old remineralizer cartridge.



STEP 3 Reconnect Tubing and Install New Remineralizer

1. Insert the white 3/8" hose attached to the faucet into the outlet connection of the new Remineralizer by pressing the hose in until it stops.
2. Connect the remaining hose end (which has the opposite end connected to the RO Manifold outlet labeled "Faucet") to the inlet portion of the Remineralizer by pressing the hose in until it stops.

Note: Be sure both tubes are inserted all the way.

**STEP 4** Flush and Check for Leaks

1. Turn off the dedicated faucet and turn on the cold water supply. Allow water tank to refill completely.

Note: It will take 2 hours for the water tank to refill.

2. Once the tank has completely filled, inspect for leaks. If there are no leaks, flush the remineralizer cartridge by turning on the dedicated faucet and allowing water to run through the system until there is no pressure coming out of the dedicated faucet.

Note: Do not drink flushed water.

3. Turn off the dedicated faucet and allow 2 hours for the pressure to build in the system. Once complete, your system is ready for use.

Care

To clean system manifold, wipe exterior with a damp cloth. Do not use any strong abrasive cleaning agent or solvent cleaner.

NOTICE

Safeguards

- If you experience a hose connection leak, disconnect and re-set the hose.
- Do not use with water that is microbiologically unsafe or of unknown water quality without adequate disinfection before or after the system.
- Systems certified for cyst reduction may be used on disinfected waters that may contain filterable cysts.



Scan to view the AO-US-RO-4000 replacement video.

- Rated capacity: 12 months depending on contaminant levels & usage.

